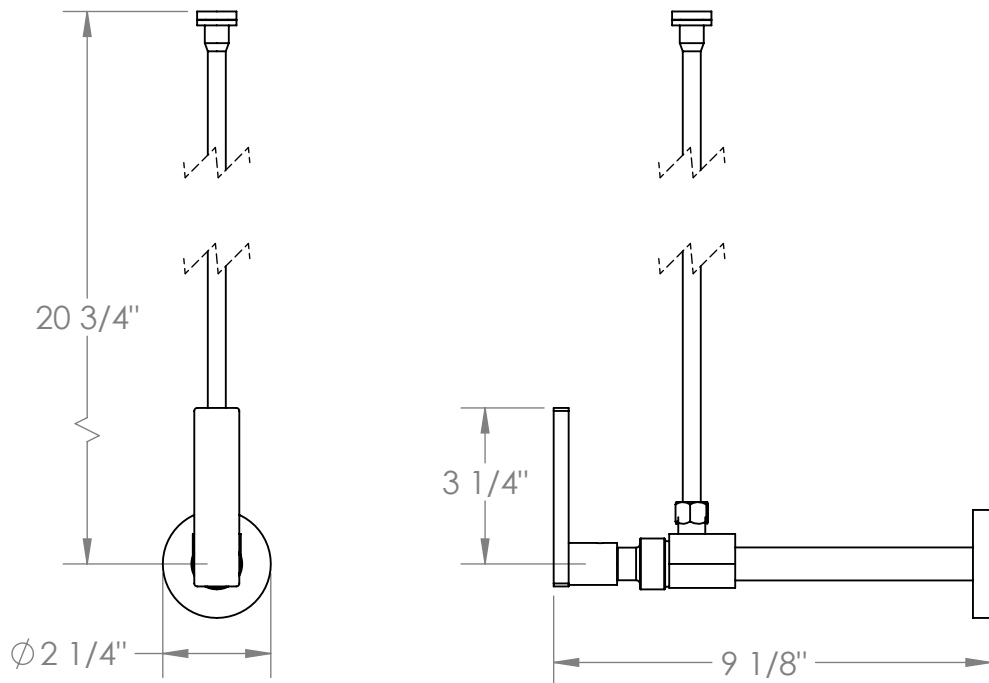


# 70-MAS7-RNK8

Toilet Angle Stop Kit

1/2" Sweat x 3/8" OD Compression

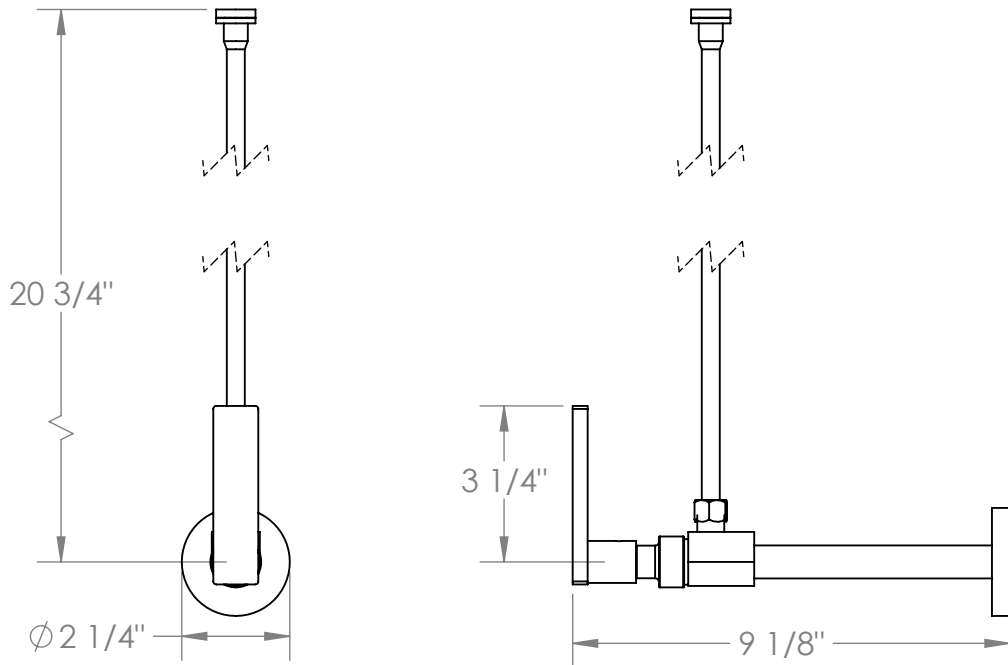


Meets the applicable requirements of ASME A112.18.1-2005/CSA B125.1-05, entitled "Plumbing Supply Fittings"

# 70-MAS7-RNS4

Toilet Angle Stop Kit

1/2" Sweat x 3/8" OD Compression



Meets the applicable requirements of ASME A112.18.1-2005/CSA B125.1-05, entitled "Plumbing Supply Fittings"